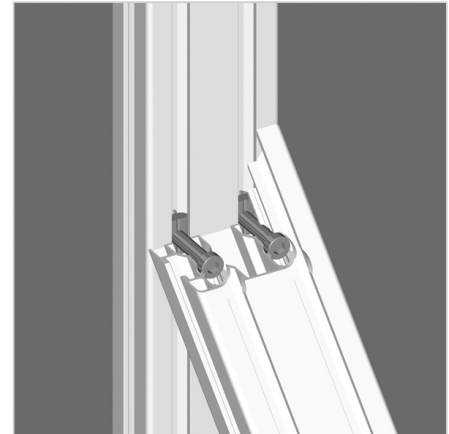
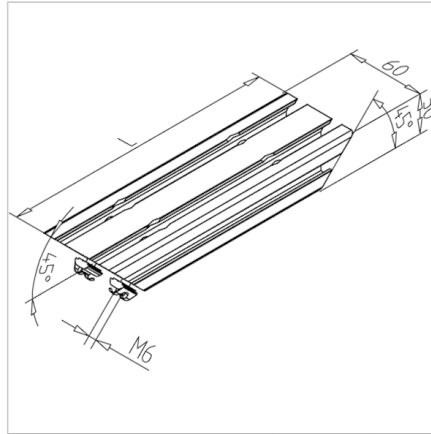


STRENGTHENING ELEMENT 30X60 SPECIAL VERSION

Code: 212210/5

Strengthening element profila 30 x 60 for improved stability of aluminium constructions with truss-based extensions.

[Link to the product →](#)



Technical data/items supplied

- Aluminium, anodized E6/EV1
- Profile 30 x 60, ready for use
- Mitre cut, one-sided or both sides, with recess(es) cut for fastening material
- Fastening kit
- **Please state dimension L and additional left and right angle (within range of 27° - 63°). Ideally with a drawing or sketch.**

Applications

- Reinforcement of profiled superstructures according to the principle of truss construction

Assembly

- Screw on the profile groove of the frame construction with supplied hardware