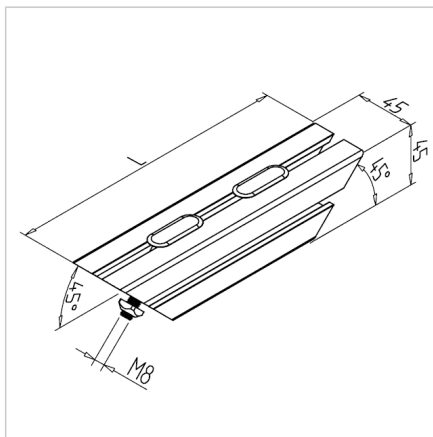


## STRENGTHENING ELEMENT 45 L = 360 MM

Code: 211761/0

Strengthening element for improved stability of aluminium constructions series 45 with truss-based extensions.

[Link to the product →](#)



### Technical data/items supplied

- Aluminium, anodized E6/EV1
- Length (l) : 360 mm
- Profile 45 x 45, ready for use
- Both ends cut at 45° with counter-bores for fastening kit
- With fastening material steel, zinc plated
- For use on vertical struts, strengthening element **part no. 211761/7** (square nuts with position-fixing)
- **Other lengths and designs under part no. 211761/5 on request**
- Weight = 0.870 kg/piece

### Applications

- Reinforcement of profiled superstructures according to the principle of truss construction

### Assembly

- Screw on the profile groove of the frame construction with supplied hardware