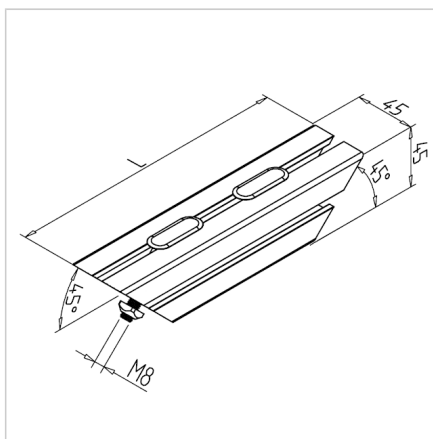


STRENGTHENING ELEMENT 45 WITH , WITH OUT COVER CAP GL = 360 MM POSITION-FIXING

Code: 211761/7

Strengthening element 45, 360 mm long, with position-fixing option for secure and precise profile connections.

[Link to the product →](#)



Technical data/items supplied

- Aluminium, anodized E6/EV1
- Length (l) : 360 mm
- Profile 45 x 45, ready for use
- Both ends cut at 45° with counter-bores for fastening kit
- With fastening material steel, zinc plated
- **Other lengths and designs under part no. 211761/5 on request**
- Weight = 0.870 kg/piece

Applications

- Reinforcement of profiled superstructures according to the principle of truss construction

Assembly

- Screw on the profile groove of the frame construction with supplied hardware