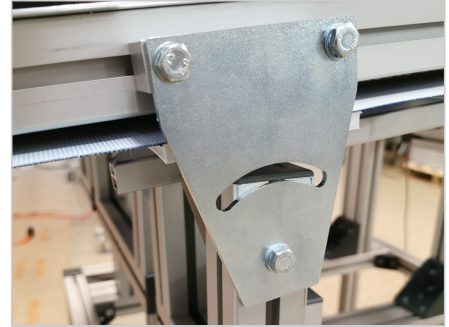
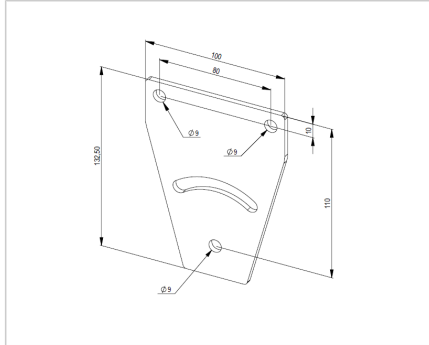
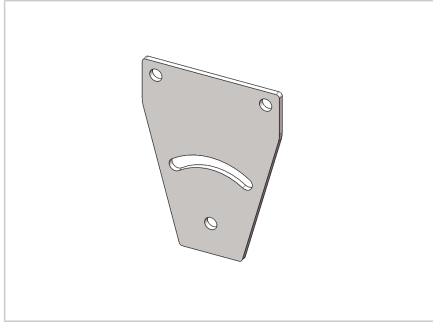


SWIWEL PLATE - STRAIGHT

Code: 1002312/0

[Link to the product →](#)



Technical data/items supplied

- Steel, galvanized
- Without fastening elements
- Stainless version **part no.** [295012/0](#)
- Weight = 0.300 kg/piece

Applications

- Connection of the substructure to the MiniTec conveyor belt
- Also suitable for inclined conveyor belts
- The swivel plate simultaneously serves as a counter-bearing for tensioning the belt
- Range $\pm 35^\circ$

Assembly

- Fasten to the side walls of the conveyor belt and to the substructure with supplied hardware