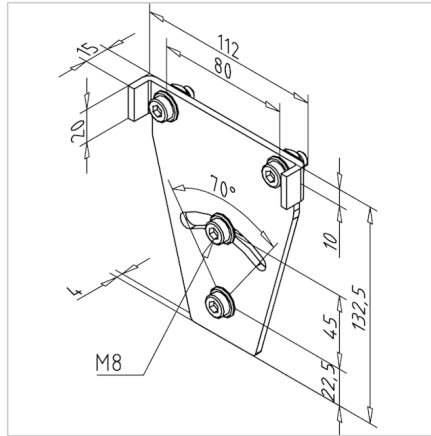
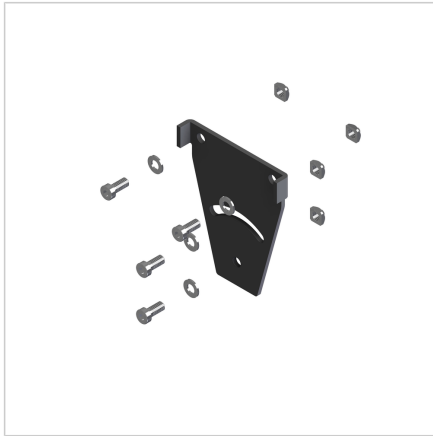


SWIVEL PLATE

Code: 295001/0

[Link to the product →](#)



Technical data/items supplied

- Steel, powder-coated, grey
- Stainless version **part no.** 295012/0
- Weight = 0.377 kg/piece

Applications

- Connection of the substructure to the MiniTec conveyor belt
- Also suitable for inclined conveyor belts
- The swivel plate simultaneously serves as a counter-bearing for tensioning the belt
- Range $\pm 35^\circ$

Assembly

- Fasten to the side walls of the conveyor belt and to the substructure with supplied hardware