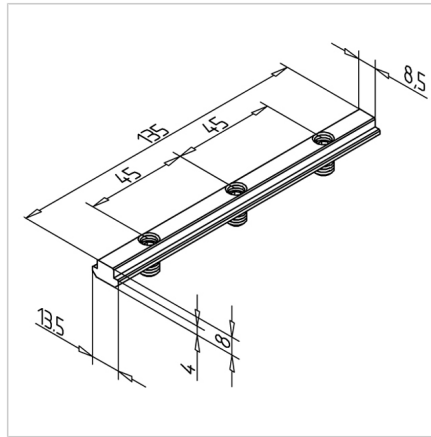


T-SLOT BAR 135

Code: 210988/0

T-slot bar 135 for aluminium profile extensions and fastening roller elements in slide LW. Durable and easy to install for precise movement.

[Link to the product →](#)



Technical data/items supplied

- Steel, galvanized
- 3 set screws M8, with hexagonal socket SW4
- Stainless version **part no.** [210987/0](#)
- Weight = 0.094 kg/piece

Applications

- Profile extension
- Fastening of roller elements in slide LW

Assembly

- Swing into profile groove
- Clamp with set screw
- No machining required
- For larger profile cross sections or higher loads, several clamping strips must be used
- By fixing the setscrews, the T-slot bar fits tight in the area of the groove sides