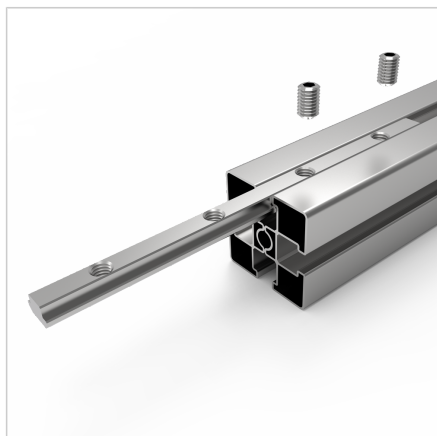


T-SLOT BAR 180 H

Code: 210986/0

T-slot bar 180 made from stainless steel for aluminium profile extensions and fastening roller elements in slide LW. Durable and precise movement.

[Link to the product →](#)



Technical data/items supplied

- Stainless steel
- 4 set screws M8, with hexagon socket SW4
- Stainless version **part no. 210986/0**
- Weight = 0.150 kg/piece

Applications

- Front side connection at joining line
- Profile extension
- Fastening of roller elements in slide LW

Assembly

- Swing into profile groove
- Clamp with set screw
- No machining required
- For larger profile cross sections or higher loads, several clamping strips must be used
- By fixing the setscrews, the T-slot bar fits tight in the area of the groove sides