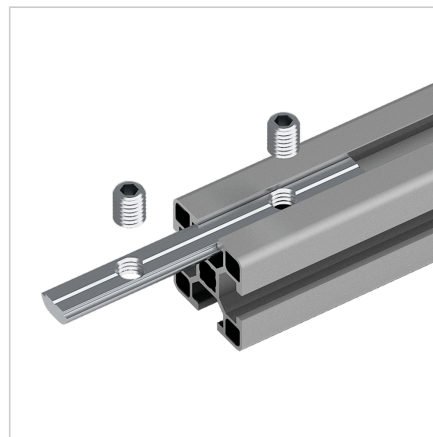
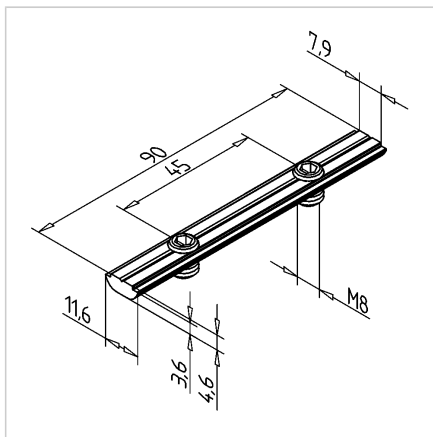


## T-SLOT BAR 90

Code: 210043/0

T-slot bar 30-90 for extending aluminium profiles series 30. Ideal for fastening components and allows easy repositioning.

[Link to the product →](#)



### Technical data/items supplied

- Steel, galvanized
- 2 set screws M8, with hexagonal socket SW 4
- Weight = 0.033 kg/piece

### Applications

- Profile extensions for profiles of profile series 30
- For fastening components to profiles
- After loosening the grub screws, the bar is easily movable

### Assembly

- Swing into profile groove
- Clamp with set screw
- No machining required
- In combination with longer setscrews, can also be used on series 45 profiles