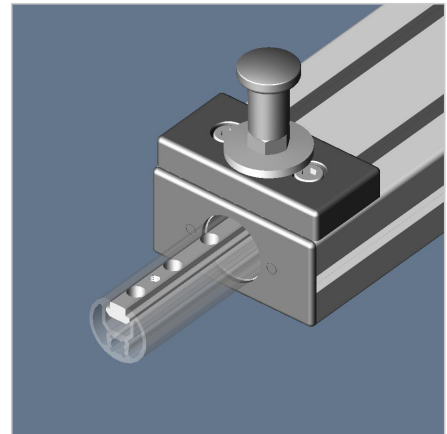
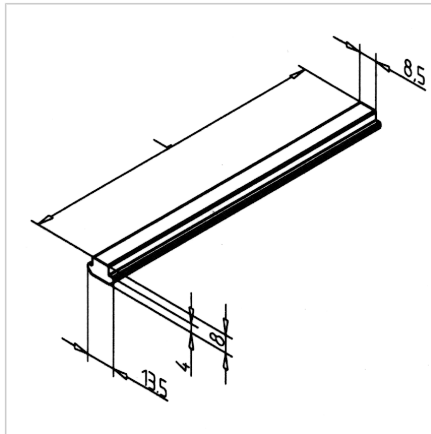


T-SLOT BAR PROFILE H (STAINLESS)

Code: 211030/1

Stainless steel T-slot bar profile for manufacturing terminal blocks, connecting elements in custom lengths, reinforcements, and ledges with special perforations.

[Link to the product →](#)



Technical data/items supplied

- Stainless steel
- Weight = 0.652 kg/m
- Bar length = 4 m

Applications

- Manufacture of terminal blocks, connecting elements in special lengths
- Production of reinforcements
- Ledges with special perforation

Assembly

- Swing into profile groove