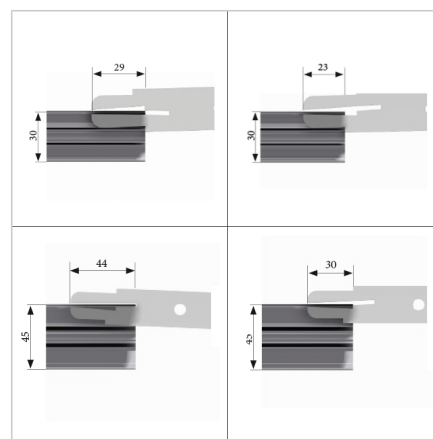
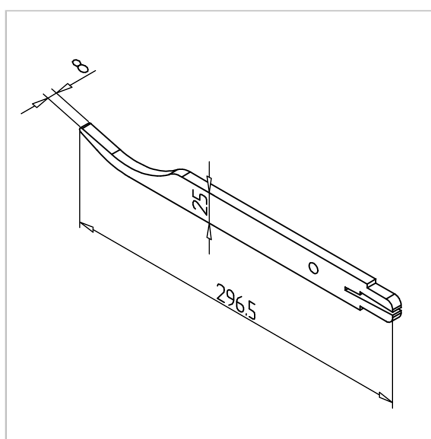


TEAR-OFF LEVER FOR CLOSED PROFILE

Code: 260815/0

Groove opener enables fast and easy removal of residual material in profile grooves and prepares aluminum profiles for precise assembly.

[Link to the product →](#)



Technical data/items supplied

- Stainless steel, blasted
- Operating instructions
- Weight = 0.356 kg/piece

Applications

- Rational tearing off of closed grooves in MiniTec aluminium profiles, for ex. for the mounting of surface elements, attachment of linear guides, etc.
- Efficient breaking out of the groove cover for the assembly of MiniTec profile connectors
- Suitable for all profiles of series 30
- Suitable for profile series 45

Assembly

- Place the slotted end of the tool on the end of the profile on the groove cover and break it upwards by repeated swiveling. The resulting break-out is designed for the assembly of profile connectors
- After assembly, it is closed with an end cap G **part no. 221056/0** in the profile series 45 and end cap G **part no. 221182/1** for the profile series 30.
- Push the curved end of the tool at the profile end under the groove cover and pry it to the required length. To close wide open grooves with cover profile