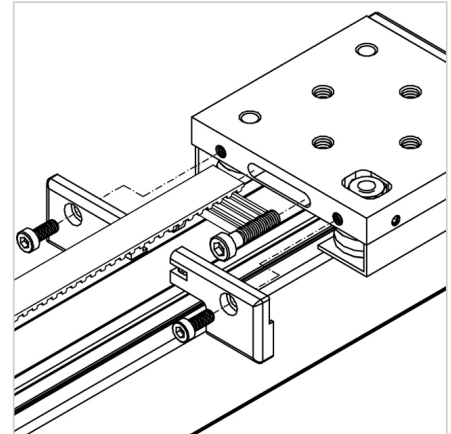
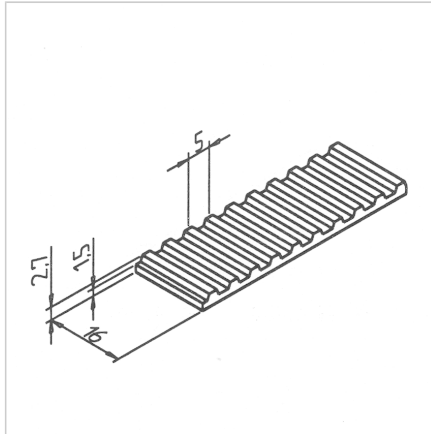


TIMING BELT 16 AT 5

Code: 280502/0

Timing belt 16 AT 5 for precise and reliable motion transmission in linear guides and other mechanical systems.

[Link to the product →](#)



Technical data/items supplied

- PUR white, steel-wire reinforced
- Type 16 AT 5
- Load capacity up to 1260 N
- Weight = 0.053 kg/m

Applications

- For MiniTec linear guides LR 6 Z

Assembly

- Insert timing belt of corresponding length into the carriage LR 6 Z
- Length determination: $2 \times \text{rail length} + 260 \text{ mm}$