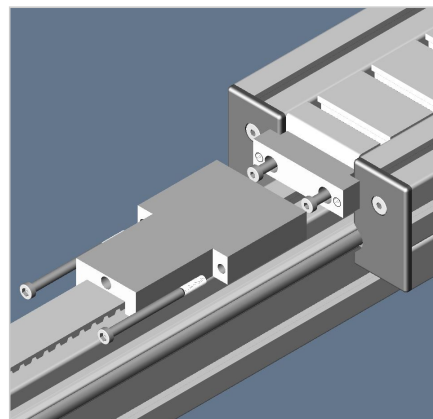
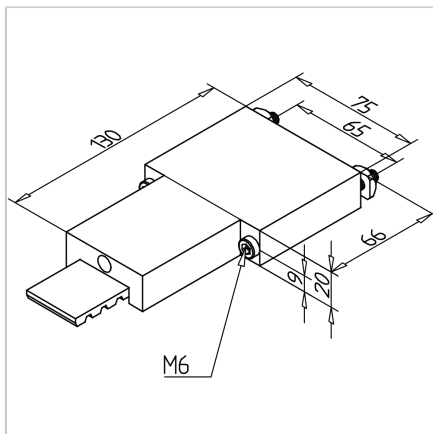
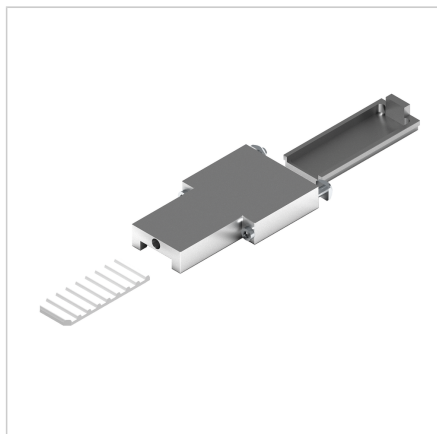


TIMING BELT TENSIONER REINFORCED TO CARRIAGE LW90

Code: 280386/0

Timing belt tensioner for LW90 linear guides for reliable and secure operation.

[Link to the product →](#)



Technical data/items supplied

- Aluminium, anodized E6/EV1
- With fastening material steel, zinc plated
- Cocking slide steel, galvanized, with inlaid counterpart with 9 teeth
- For attachment to carriage LW 45 please use the timing belt tensioner with adapter **part no. 280386/1**
- Weight = 0.473 kg/piece

Applications

- For linear axes with higher safety requirements
- For vertically arranged axes (lifting axes) it is usually sufficient to use the upper timing belt tensioner in reinforced version

Assembly

- Screw tight on the front of the carriage with supplied hardware
- After fixing on slide face, tension the belt central tensioning screw M8, 5 A/F
- Recommended voltage: according to design