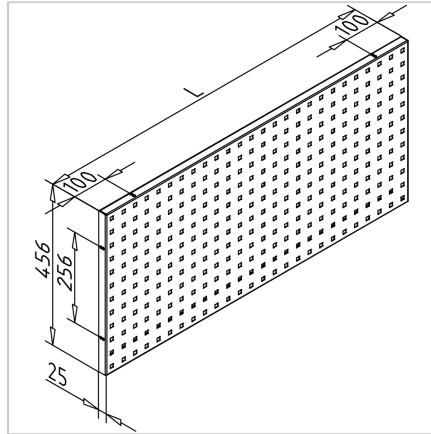
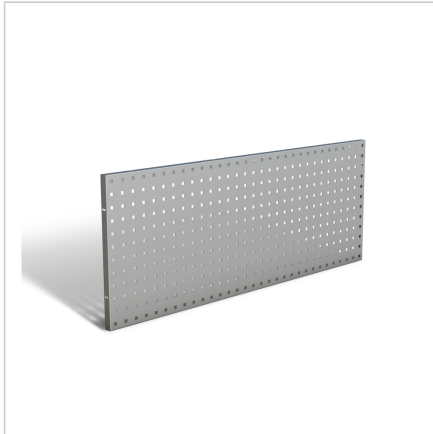


TOOL HOLDER PLATE 1200

Code: 320670/0

Wall tool organizer 1200 mm offers more storage space for neat tool arrangement and quick access in the workplace.

[Link to the product →](#)



Technical data/items supplied

- Steel, powder-coated, grey
- Length (l) : 1178 mm
- Width (L) = 1178 mm
- Height 456 mm
- Square hole perforation 10 x 10 mm at 38 mm grid pattern
- Weight = 6.295 kg/piece

Assembly

- Fasten to the portal structure
- Appropriate mounting material is available separately depending on the attachment situation

Other versions

- Size 500, **part no.** 320660/0
L = 494
- Size 1000, **Art.-Nr:** 320665/0
L = 988
- Size 1500, **part no.** 320675/0
L = 1482
- Size 2000, **part no.** 320680/0
L = 1976