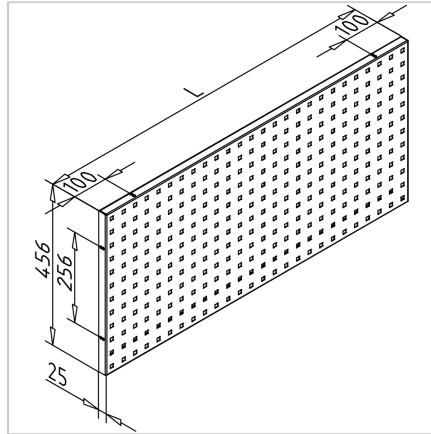


TOOL HOLDER PLATE 1500

Code: 320675/0

Tool wall storage 1500 mm enables efficient tool organization and increases visibility at the workstation.

[Link to the product →](#)



Technical data/items supplied

- Steel, powder-coated, grey
- Length (l) : 1482 mm
- Width (L) = 1482 mm
- Height 456 mm
- Square hole perforation 10 x 10 mm at 38 mm grid pattern
- Weight = 7.876 kg/piece

Assembly

- Fasten to the portal structure
- Appropriate mounting material is available separately depending on the attachment situation

Other versions

- Size 500, **part no.** 320660/0
L = 494
- Size 1000, **Art.-Nr:** 320665/0
L = 988
- Size 1200, **part no.** 320670/0
L = 1178
- Size 2000, **part no.** 320680/0
L = 1976