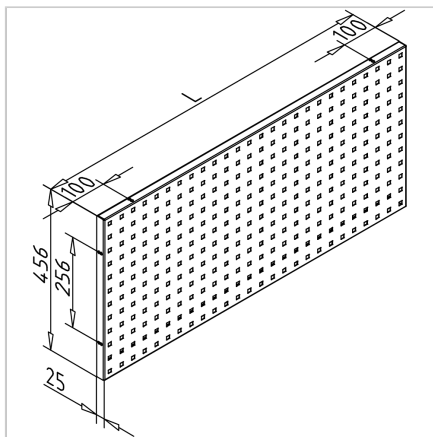
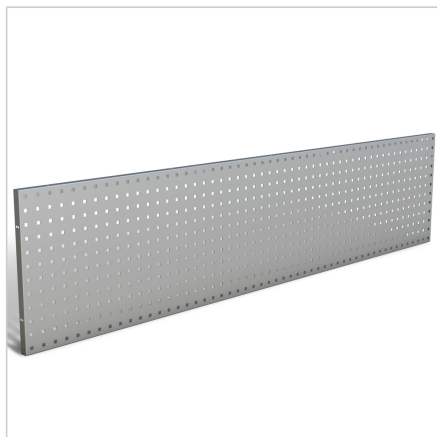


TOOL HOLDER PLATE 2000

Code: 320680/0

Tool wall storage 2000 mm provides maximum space for tool storage and keeps the workstation well-organized.

[Link to the product →](#)



Technical data/items supplied

- Steel, powder-coated, grey
- Length (l) : 1976 mm
- Width (L) = 1976 mm
- Height 456 mm
- Square hole perforation 10 x 10 mm at 38 mm grid pattern
- Weight = 10.437 kg/piece

Assembly

- Fasten to the portal structure
- Appropriate mounting material is available separately depending on the attachment situation

Other versions

- Size 500, **part no.** 320660/0
L = 494
- Size 1000, **Art.-Nr:** 320665/0
L = 988
- Size 1200, **part no.** 320670/0
L = 1178
- Size 1500, **part no.** 320675/0
L = 1482