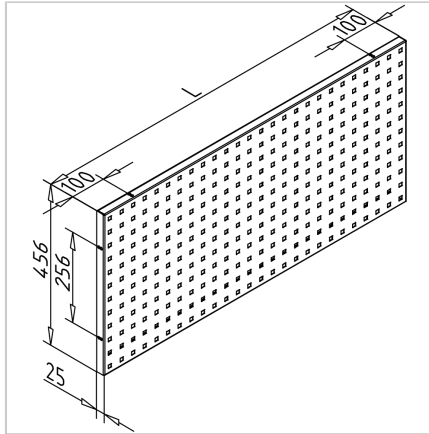
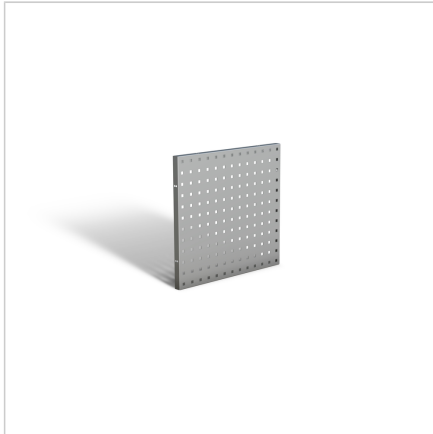


TOOL HOLDER PLATE 500

Code: 320660/0

Tooling plate 500 mm ensures clear tool storage, easy access, and a well-organized workspace.

[Link to the product →](#)



Technical data/items supplied

- Steel, powder-coated, grey
- Length (l) : 494 mm
- Width (L) = 494 mm
- Height 456 mm
- Square hole perforation 10 x 10 mm at 38 mm grid pattern
- Weight = 2.750 kg/piece

Assembly

- Fasten to the portal structure
- Appropriate mounting material is available separately depending on the attachment situation

Other versions

- Size 1000, **Art.-Nr:** 320665/0
L = 988
- Size 1200, **part no.** 320670/0
L = 1178
- Size 1500, **part no.** 320675/0
L = 1482
- Size 2000, **part no.** 320680/0
L = 1976