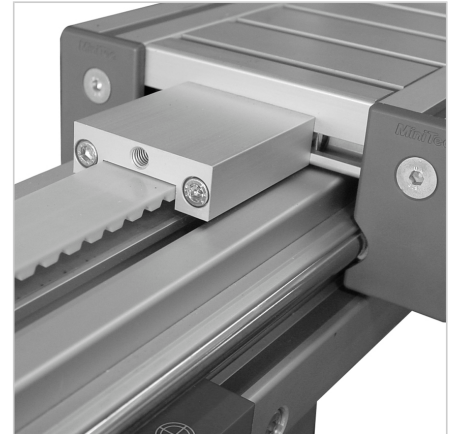
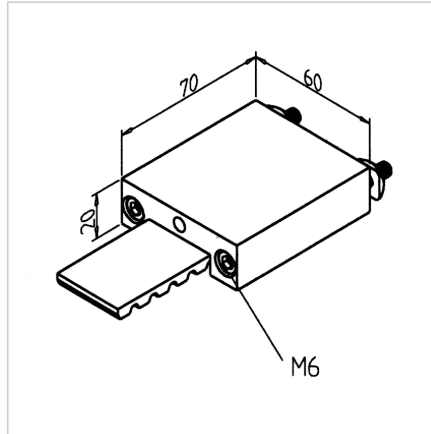
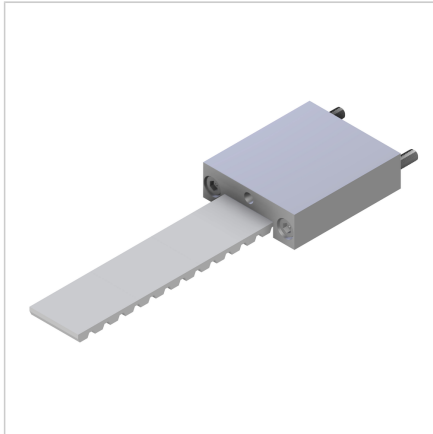


## TOOTH BELT TENSIONER

Code: 280090/0

Timing belt tensioner for reliable operation of linear guides. Also suitable for vertically arranged axes.

[Link to the product →](#)



### Technical data/items supplied

- Aluminium, anodized E6/EV1
- With fastening material steel, zinc plated
- Housing Aluminum natural anodized
- Tension slide steel, galvanized, with inserted counterpart with 3 teeth
- For timing belt 32 AT 10
- Stainless version **part no. 280090/1**
- Weight = 0.244 kg/piece

### Applications

- For MiniTec-Linear guides LR 12 and LR 16
- For MiniTec belt drive

### Assembly

- Screw tight on the front of the carriage with supplied hardware
- After fixing on slide face, tension the belt central tensioning screw M8, 5 A/F
- Recommended voltage: according to design
- 1 timing belt tensioner requested per belt end