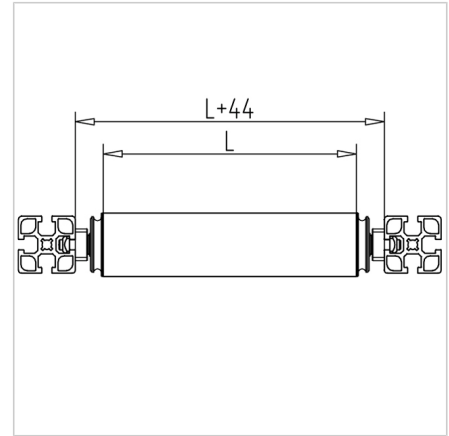
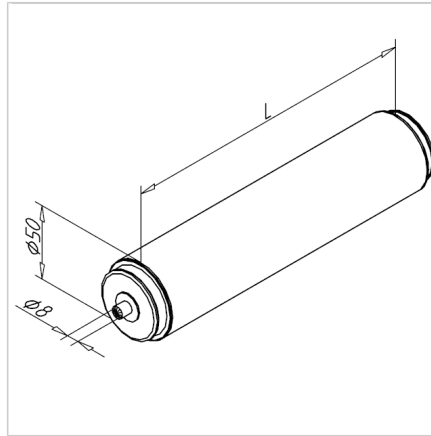


## TRANSPORT ROLLER AL 50-36 TUBE

Code: 211716/0

[Link to the product →](#)



### Technical data/items supplied

- Completely assembled conveyor roller with AL tube, mill finished
- Load/roller max. 20 kg
- **Please specify dimension L** (pipe length)
- On request also available with anodized aluminum tube or stainless steel tube

### Applications

- Production of roller conveyors with or without drive
- When requesting high concentricity, the conveyor roller AL is to be preferred

### Assembly

- Simply attach roller carrier and insert in profile groove
- Use with roller carrier 36 **part no.** [221190/0](#)