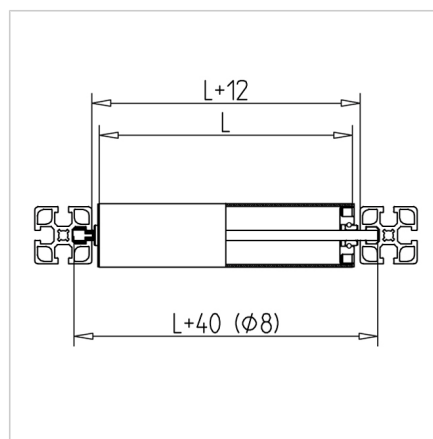
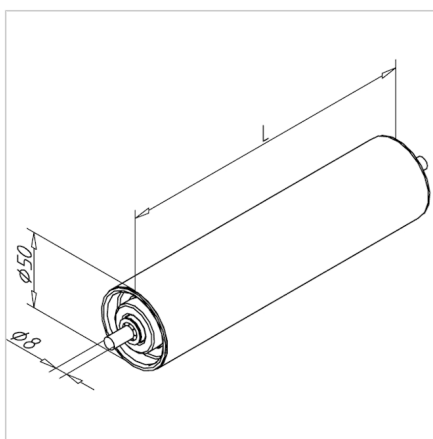


TRANSPORT ROLLER S PVC 50-25 TUBE

Code: 210891/0

PVC conveyor roller guarantees reliable movement, reduces material wear, and protects sensitive products during transport.

[Link to the product →](#)



Technical data/items supplied

- Completely assembled conveyor roller with grey ABS tube
- With ball bearing sets and continuous shaft
- Load/roller max. 33 kg
- **Please specify dimension L** (pipe length)
- On request also available with anodized aluminum tube or stainless steel tube

Applications

- Production of roller conveyors with or without drive
- When requesting high concentricity, the conveyor roller AL is to be preferred

Assembly

- Simply attach roller carrier and insert in profile groove
- Use with roller carrier 25 **part no.** [221196/0](#)