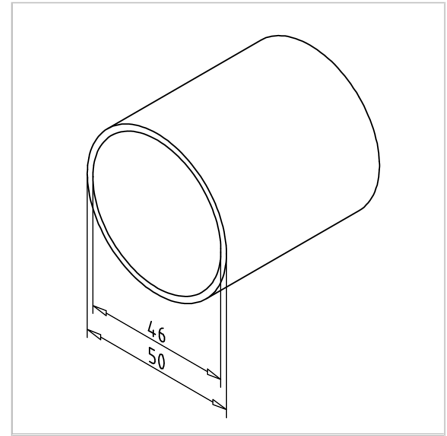
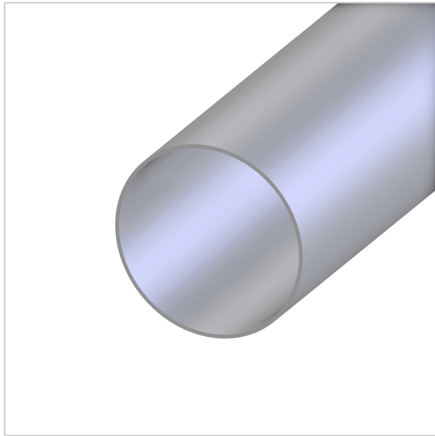


TUBE AL 50 X 2 UNANODISED

Code: 201041/0

[Link to the product →](#)



Technical data/items supplied

- Aluminium, bright
- Recommended tube length: max. 1000 mm
- **Please indicate needed tube length**
- Weight = 0.830 kg/m
- Bar length = 6 m

Applications

- Production of conveyor rollers in any length for roller tracks with or without drive