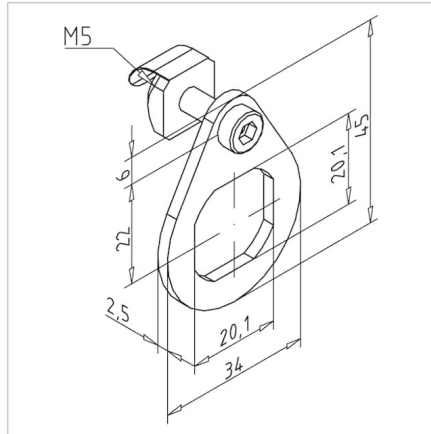


## TWIST STOP F

Code: 210941/0

[Link to the product →](#)



### Technical data/items supplied

- Stainless steel
- With fastening material steel, zinc plated
- Weight = 0.021 kg/piece

### Applications

- Secure sash locks, latch handles and toggle handles against self-acting loosening or over-turning
- Specifically intended for use with door stop S, **part no. 211767/0**

### Assembly

- Install front handle, T-handle or L-handle as usual, tighten hexagon nut
- Swivel in square nut and mount twist stop
- Install the latch