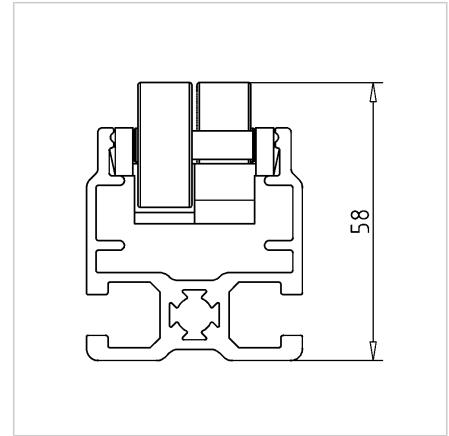
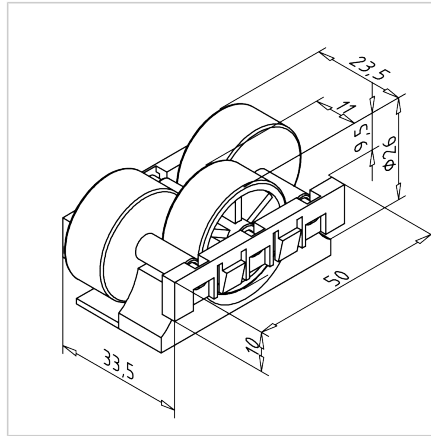


## ROLLER ELEMENT 50 D26-3R-FRS

Code: 320686/0

[Link to the product →](#)



### Technical data/items supplied

- PA, black
- Cylindrical roller with 28 mm diameter in black
- ESD-compatible
- Roll pitch 16.5 mm
- System height (SH): 58 mm
- Max. load capacity approx. 125 N
- Weight = 0.029 kg/piece

### Applications

- For making roller strips in conjunction with our profile 45 FRS **article no. 201152/0**

### Assembly

- Can be clipped into the profile in any position required
- Spacer **article no. 320693/0** can be used to fix the component in the profile.
- The component can be fixed with **article no. 320694/0**, at the same time, it forms an end stop for the conveyed material.
- Please use **article no. 320687/0** as closure at front and rear end. 2 each are required, even with several roller elements in a row.