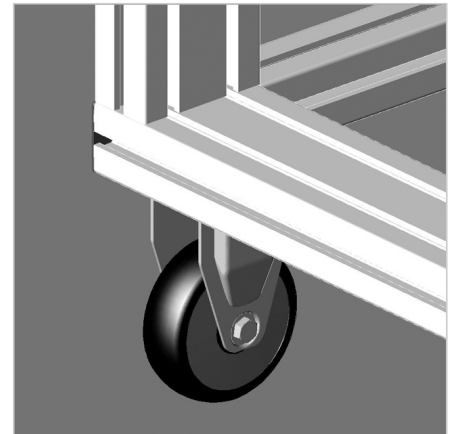
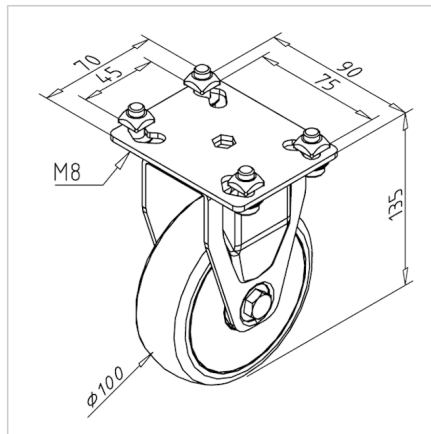


## WHEEL RIGID TYPE D100X135 ESD

Code: 321036/0

Fixed castor D 75 x 103 with ESD protection for steady support and smooth movement in various industrial and furniture applications in sensitive industrial environments..

[Link to the product →](#)



### Technical data/items supplied

- With fastening material steel, zinc plated
- Housing steel, galvanized
- Conductive
- Load capacity 90 kg
- Weight = 0.695 kg/piece

### Applications

- Movable tables
- Work stands
- Display windows, showcases

### Assembly

- Fasten mounting plate in the profile groove with supplied hardware