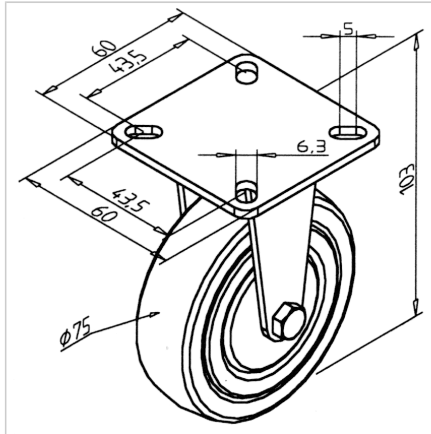


WHEEL RIGID TYPE D75X100

Code: 211475/0

Fixed castor D 75 x 103 for steady support and smooth movement in various industrial and furniture applications.

[Link to the product →](#)



Technical data/items supplied

- Steel, galvanized
- Tire, rubber, grey
- With fastening material steel, zinc plated
- Load capacity 50 kg
- **Other versions upon request**
- Weight = 0.350 kg/piece

Applications

- Work stands
- Frames
- Movable tables

Assembly

- Use fixing material supplied to fix on profile groove
- With mounting plate for castor **Part no. 211476/0** attach to profile